

Installation of STB-C module in  
BeoVision MX and AV9000,  
type 78xx, 87xx and 79xx

1403000

On-site mounting instruction

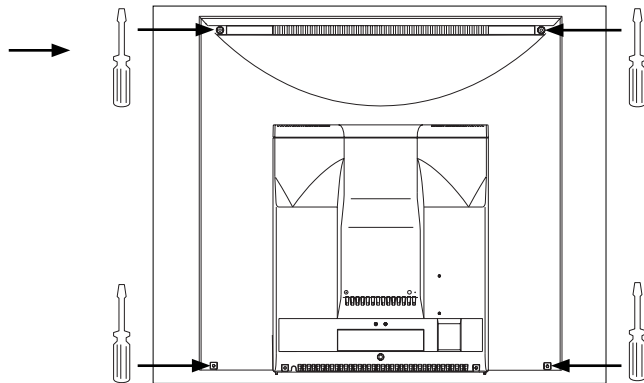
ABO-CENTER V/HENRIKSENS ELEKTRONIK

 **STATIC ELECTRICITY  
MAY DESTROY THE  
PRODUCT**



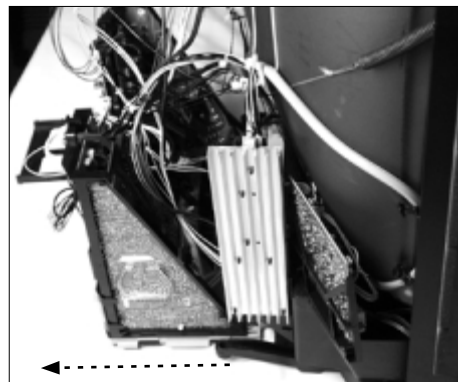
Connect plug(s)

Disconnect plug(s)



Press

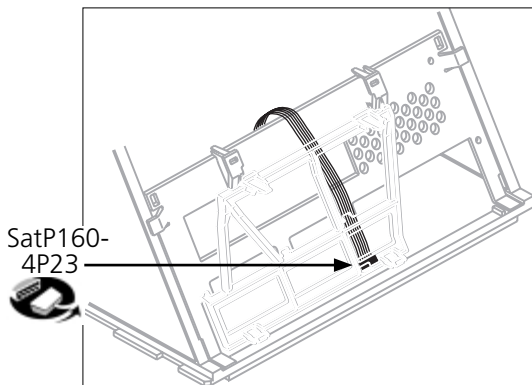
Press



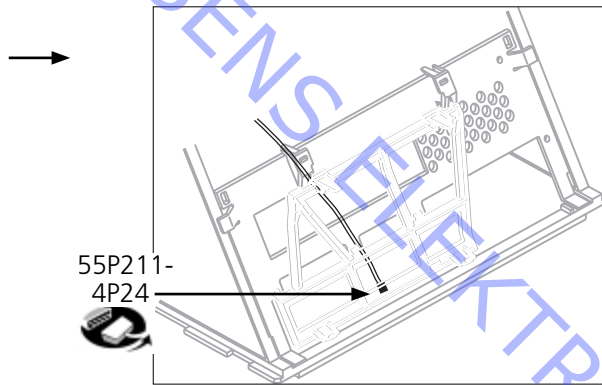
Pull out the chassis

Only if SATELLITE is mounted

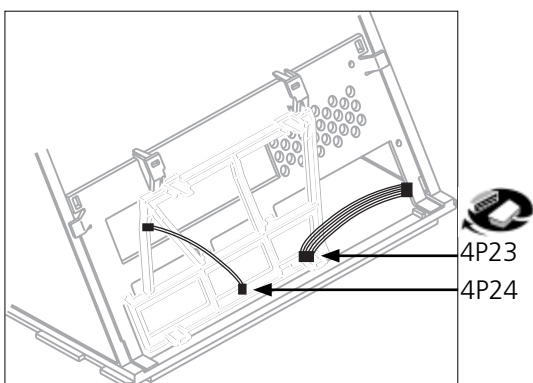
AV9000 only



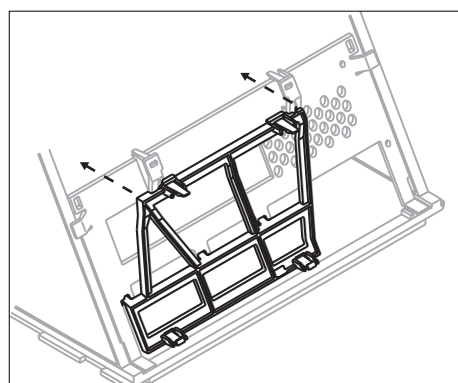
SatP160-4P23



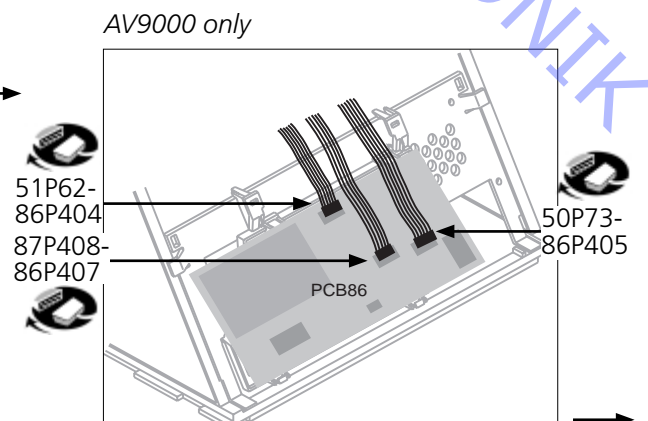
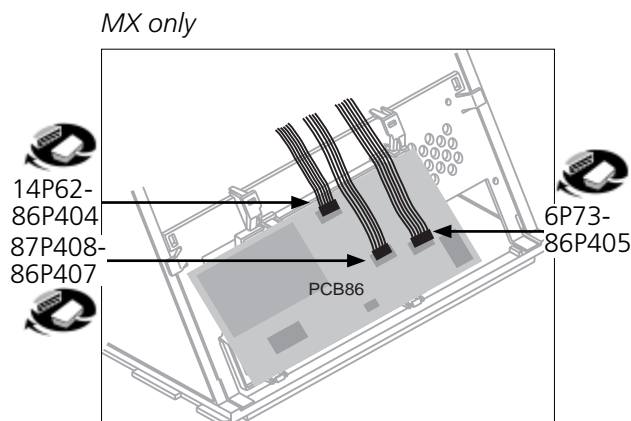
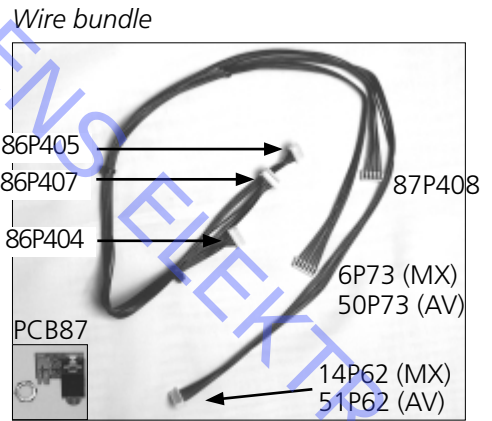
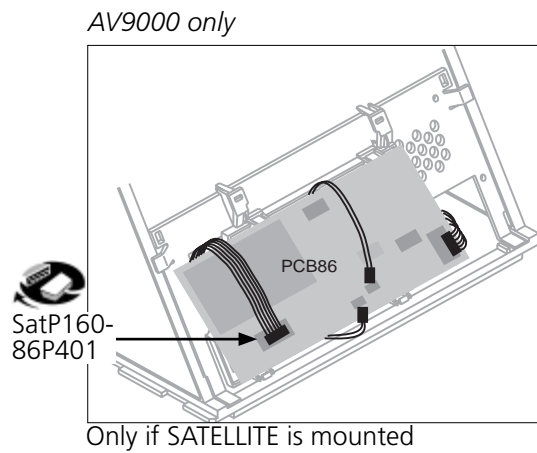
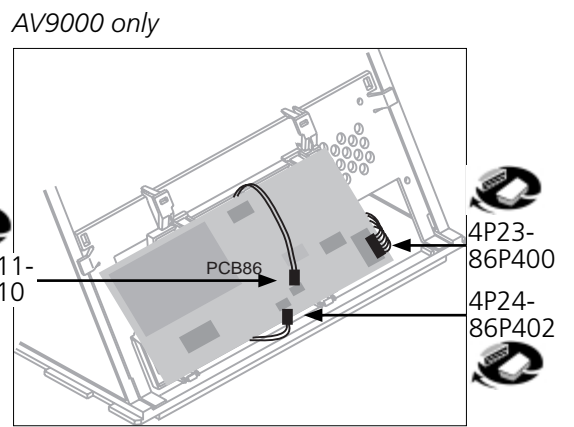
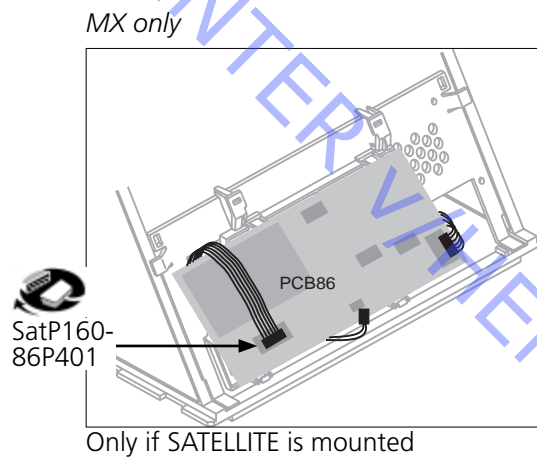
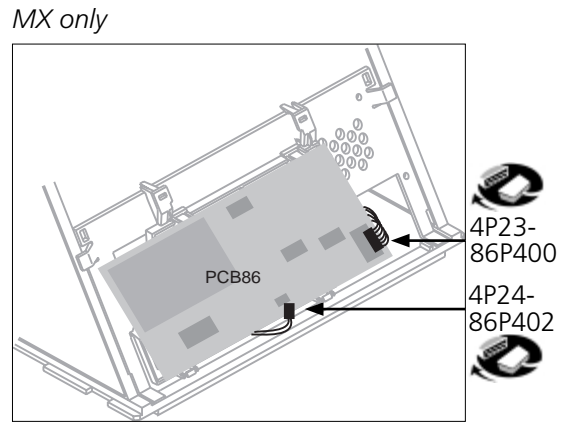
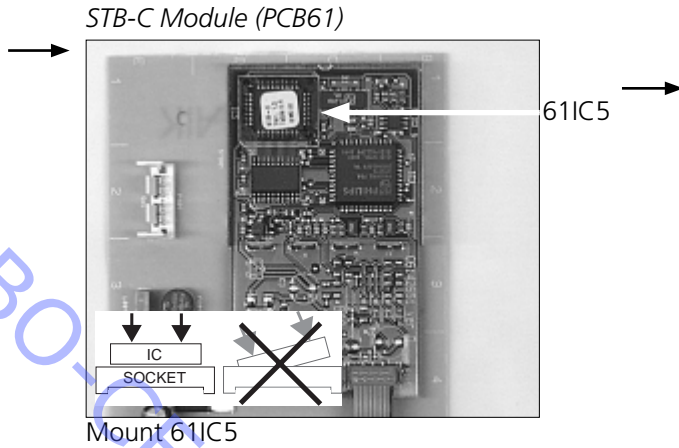
55P211-4P24

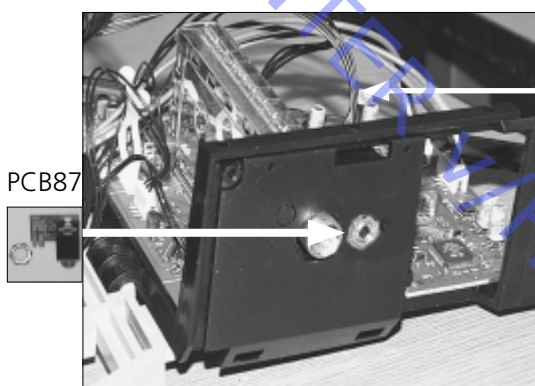


4P23  
4P24

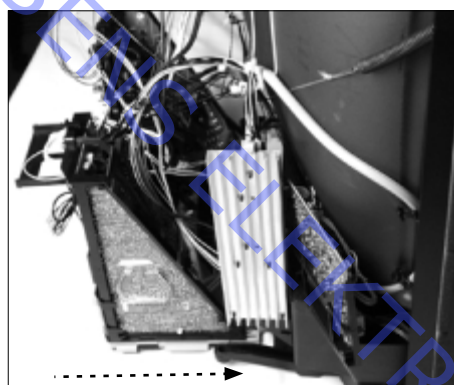
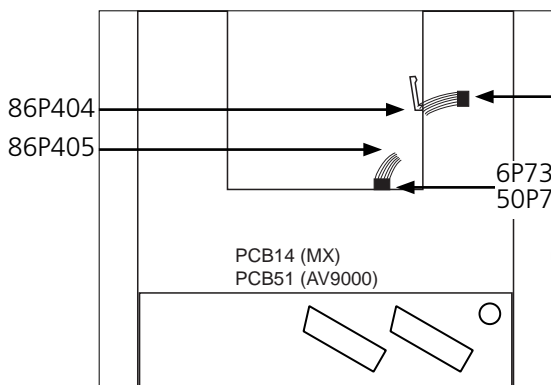
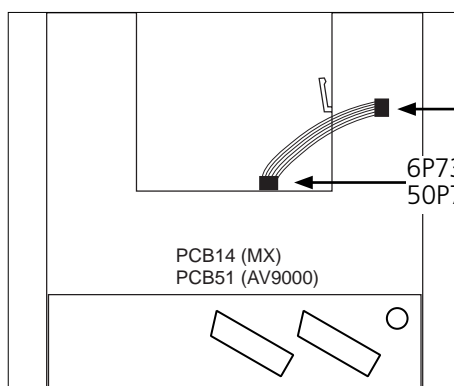


ABC CENTER HENRIKSENS ELEKTRONIK

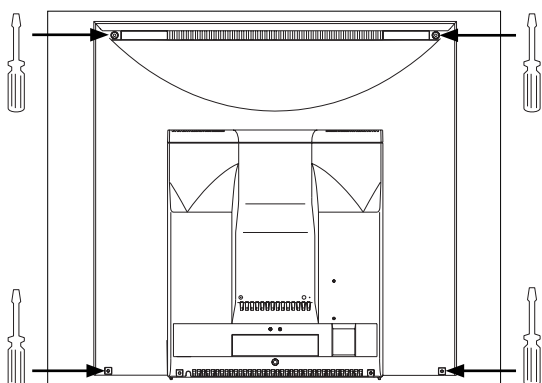




Remove wire



Push in chassis



AV9000 only

Cut/remove in scartplug:  
 Pin 7 Blue in  
 Pin11 Green in  
 Pin15 Red in  
 Pin 16 Blanking in

